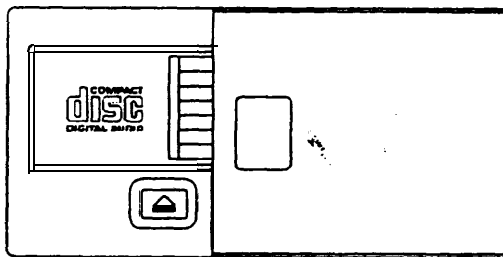
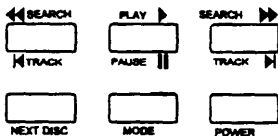
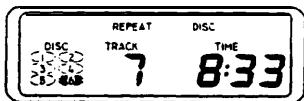


# MCD6 6-DISC DIGITAL COMPACT DISC PLAYER

## OWNER'S GUIDE





# ABOUT YOUR SYSTEM

The MCD6 from M&S Systems is a high-quality CD player designed to compliment your built-in M&S Systems musical intercom system. Your MCD6 digital compact disc player includes these outstanding features:

- One 6-disc magazine (additional 6-disc magazines available)
- Random track/disc selection
- Highly visible backlighted LCD display
- Elapsed time display for selected track
- Numeric indicator for selected track
- Graphic indication of selected disc and installed discs
- Track search forward and reverse
- Pause/resume feature
- Next/previous track selection
- Compatible with all M&S Systems musical intercoms
- Plays all 5" compact discs labeled with



Additional 6-disc magazines are available. Fill one magazine with your favorite Jazz CD's, another with Rock 'n Roll, and another with Classical. Contact your local M&S dealer or call 214-358-3196.

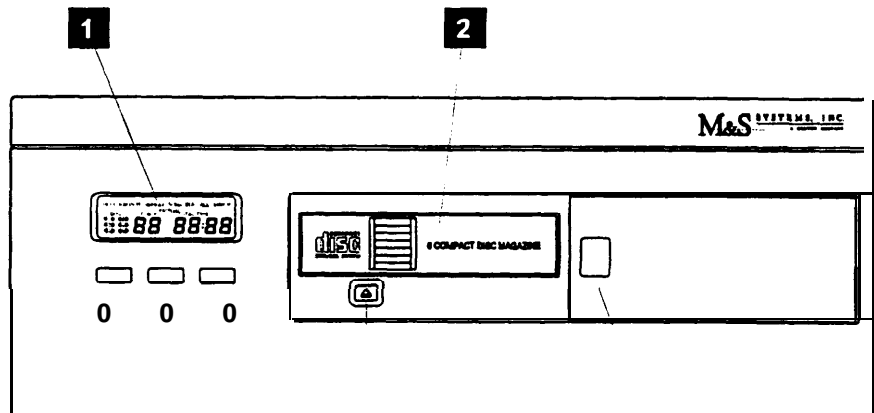
Like all M&S Systems products, the MCD6 compact audio disc player is designed to make your home atmosphere more enjoyable. M&S Systems is committed to producing high quality products for your home. If you have any questions about the operation of your system, please call us at (214) 358-3196.

# CONTROLS AND FEATURES

The illustration below shows the controls and features you use to operate the Model MCD6.

- 1** Display - Provides visual indication of the MCD6's status and operational settings.

*Display light control - If you do not wish to have the display light come on, you may disable it by pressing Track up and Mode at the same time and holding for 3 seconds. Pressing this combination of buttons again for 3 seconds will return the display light to normal operation.*

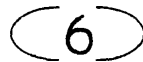


- A** Status/operating mode indicators

- B** Disc indicators

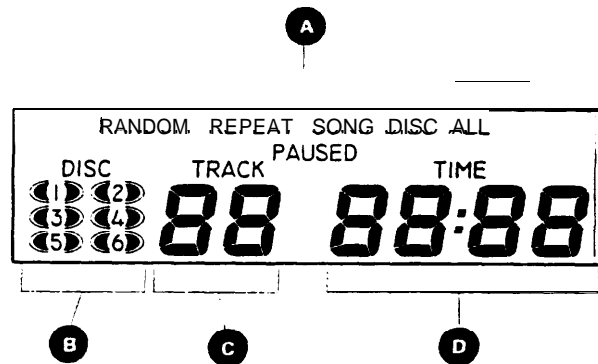


Currently selected disc



Disc is installed but not selected

Disc is not installed (blank)



MCD6 display legends

- C** Track number

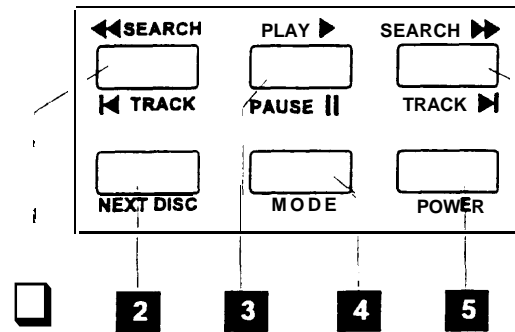
- D** Track elapsed time

- 2** 6-disc magazine - Removable magazine that holds 6 compact discs.
- 3** Controls - Used to operate and setup the MCD6 compact disc player.
- 4** Eject - Button used to eject the disc magazine
- 5** Door slide - Used to access the disc magazine

# FUNCTIONS

The illustration below shows the controls and features of your Model MCD6. You may need to refer to the operating guide for your music-intercom for additional information.

**1** TRACK DOWN/SEARCH-Pressing and holding this button fast reverses toward the beginning of the current track. You will also hear short samples of the track as it reverses through the selected track. Momentarily pressing this button returns play to the beginning of the current track. A double press of this button will jump to the previous track.



**2** NEXT DISC - Press this button to advance to the next disc. A particular disc may be selected by pressing this button repeatedly until the desired disc is indicated on the display.

**3** PLAY/PAUSE - Press this button to alternately pause or play the CD.

**4** MODE -This button cycles the CD player through each of its five different modes as described below. Additionally, holding the mode button down will display the total number of tracks and total time of the CD.

|                    |                                                                      |
|--------------------|----------------------------------------------------------------------|
| <b>Normal</b>      | Each track is played in order before advancing to the next disc.     |
| <b>Repeat song</b> | Repeats the current track                                            |
| <b>Repeat disc</b> | Plays the current disc sequentially and then starts over at track 1. |
| <b>Random disc</b> | Plays tracks from the current disc in random order.                  |
| <b>Random all</b>  | Plays tracks randomly from all discs.                                |

**5** POWER - This button turns the power to the MCD6 ON or OFF.

**6** TRACK UP/SEARCH-Momentarily pressing this button advances play to the next track. Pressing and holding this button will fast forward through the currently selected track.

---

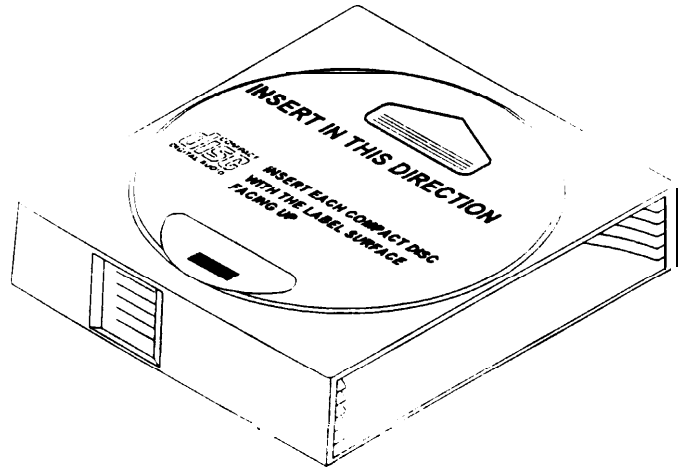
## HANDLING DISCS

Compact discs are optically read plastic discs which require no maintenance. However, care must be taken to insure the readable surface is not contaminated by dirt, grime fingerprints, etc. Avoid touching the side opposite the label. This is the side that contains the digital information read by the MCD6's laser. Compact discs should only be handled by the outer edges or center hub.

---

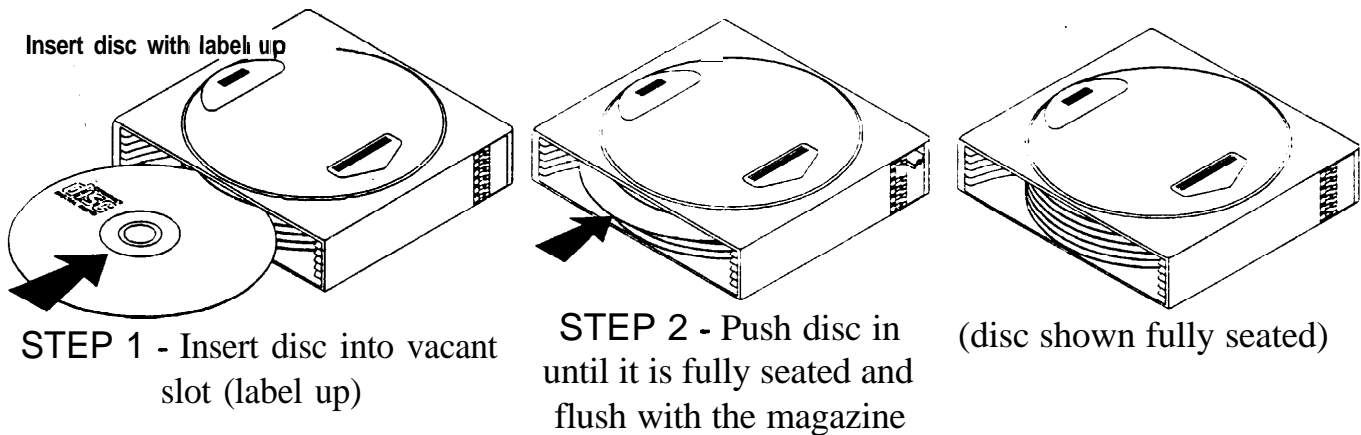
## LOADING DISCS

**The** 6-disc magazine used with the MCD6 contains 6 slots used to align each compact disc. These slots are numbered 1-6 starting from the bottom. The magazine does not have to have a disc loaded in each slot. The MCD6 will automatically sense which discs are installed and will accept play options for the installed discs only. Each disc must be installed with the label up as shown below.



6-Disc magazine

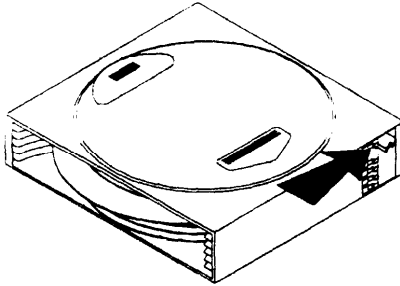
*A 3" [8cm] disc can be played with the use of an optional adapter. (Contact your local M&S dealer). Only one 3" [8CM] disc can be inserted into the MCD6 and it must be installed in the number one slot only.*



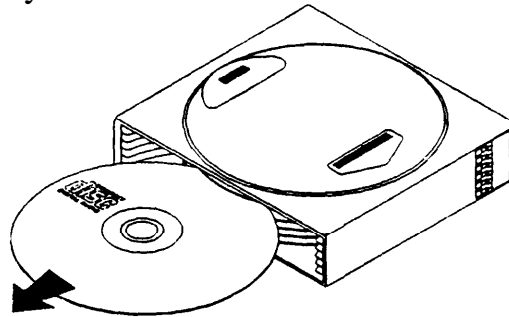
---

## UNLOADING DISCS

A disc can be removed by moving the lever on the side of the disc magazine as shown below. Moving the lever corresponding to the desired disc will eject the disc by approximately 1/2". The disc can then be fully removed.



**STEP 1-** Move lever corresponding to the disc to be removed.

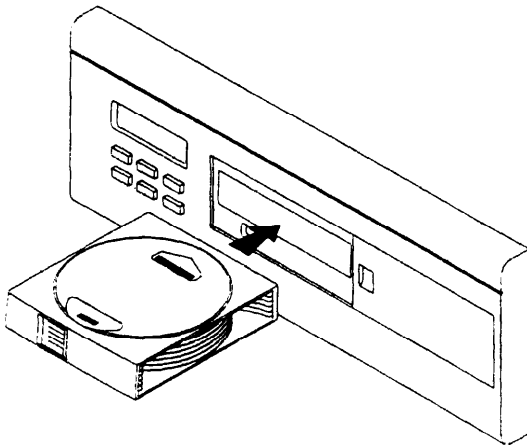


**STEP 2 -** Remove disc from magazine.

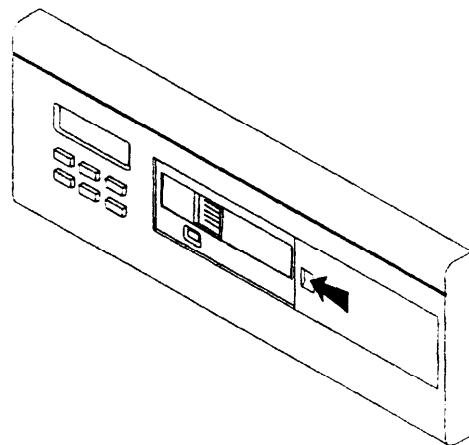
---

## LOADING DISC MAGAZINE

The MCD6 plays discs installed in the disc magazine supplied with it. To install the disc magazine, slide the access door all the way to the right. Gently, insert the disc magazine into the exposed slot oriented as shown below. The access door can now be closed.



**STEP 1-** Open magazine door and gently insert the magazine oriented as shown.



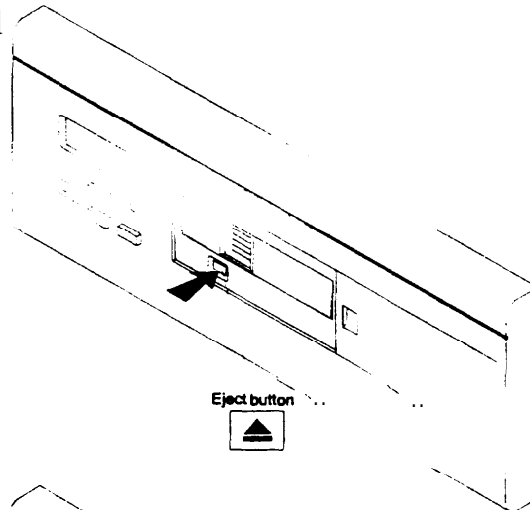
**STEP 2 -** Press the magazine in until it locks in place. Slide access door closed.

---

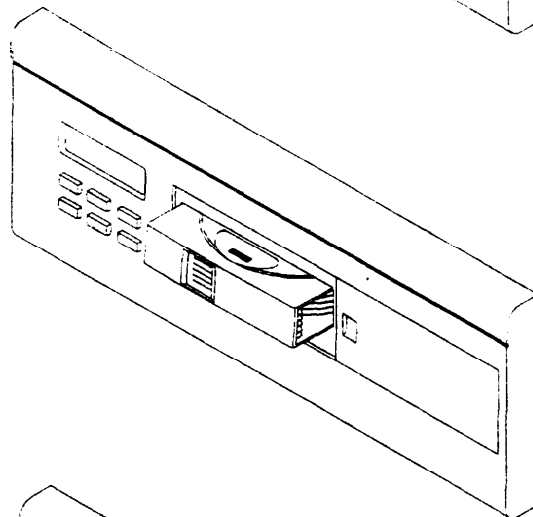
## UNLOADING DISC MAGAZINE

Unloading the disc magazine is performed by first sliding the access door to the right. Next, press the eject button located below the window on the magazine. Pressing this button will activate the magazine release mechanism. When ejected, the magazine will extend outward 1". You may then pull the disc magazine out completely.

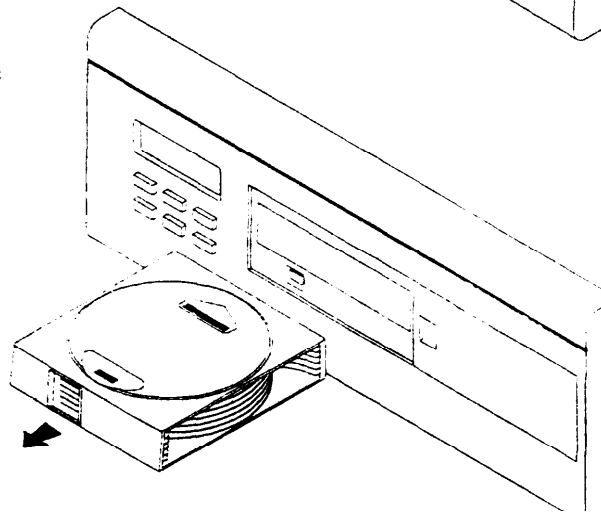
**STEP 1** - open magazine door and press the eject button.



**STEP 2** - Wait for the magazine to extend and stop (approximately 1 inch outward).



**STEP 3** - Pull the magazine from the MCD6 player and close the sliding door.



---

## CARE AND MAINTENANCE

No maintenance is required to provide reliable operation. The MCD6 can be cleaned using a slightly dampened cloth. No chemicals should be used to clean the face panel components. Many common household chemicals may damage or discolor the face panel components. Use care when cleaning the display window.

---

## TROUBLESHOOTING TIPS

| PROBLEM                                            | WHAT TO CHECK                                                                                                                                      |
|----------------------------------------------------|----------------------------------------------------------------------------------------------------------------------------------------------------|
| Will not power on                                  | Check for tripped circuit breaker.                                                                                                                 |
| Magazine will not eject                            | Sliding door not opened fully.                                                                                                                     |
| “Err 07” displays when disc is selected for play   | Disc is not readable or is installed in the magazine upside down. Disc must be installed with the label up.                                        |
| “Err 07” displays while disc is playing            | Disc is dirty, damaged, or scratched.                                                                                                              |
| Display does not light                             | Press Track up and Mode at the same time and hold for 3 seconds to enable.                                                                         |
| “Err 01” displays                                  | Disc is jammed. Try ejecting the magazine.                                                                                                         |
|                                                    | Shipping screws have not been removed upon installation.                                                                                           |
| Display shows disc is playing but nothing is heard | AUX is not selected on the radio-intercom master.                                                                                                  |
|                                                    | Check to see if FM or AM plays on the radio intercom. If not, refer to troubleshooting section in the owner’s guide for the radio-intercom master. |

### Manual Reset Procedure

In some cases, performing a reset on the MCD6 may resolve your problem. First try resetting the MCD6 player by pressing the TRACK UP and POWER buttons at the same time. If that does not work, remove the plastic front cover by pulling straight out and press the RESET button below the keypad. If your MCD6 player still does not operate, please contact your dealer or M&S Systems at (214)-358-3 196.

## CONGRATULATIONS!

Your purchase of an M&S audio product an investment that will provide years of enjoyment and service for your customer.

M&S audio products are backed with more than 40 years of experience in the design and manufacture of quality audio equipment for the home. To ensure that your customer receives the high-quality music reproduction that the system is designed to deliver, it is important that each step of the installation be done carefully. If you follow the step-by-step illustrated instructions below, the result will be a successful professional-quality installation. In the event you need troubleshooting assistance, please call our technical staff at 1-800-366-9422.

# INSTALLATION INSTRUCTIONS FINISH-OUT MCD6

**Tools required:** Phillips screwdriver X2, #1 Flat bladed screwdriver (MCD6 only).

The finish-out installation should be made after the application of wall covering material. These instructions should be used in conjunction with the master unit's finish-out instructions.

## DOs & DON'Ts

- **USE ONLY M&S SYSTEMS BRAND CABLE** as called out in these instructions and included in the listed wall housings. The cable is designed and constructed with electrical specifications necessary for proper audio performance. **IMPORTANT: THE USE OF NON M&S SYSTEMS' BRAND CABLE OR CABLE SUBSTITUTION WILL VOID PRODUCT WARRANTY.** *Note: All M&S Systems' cable has M&S Systems and the part number printed on it!*
- **DO NOT power up cassette or compact disc player until all audio cables are connected.**
- **DO ensure that all rough-in instructions have been followed before power is applied to system.**
- **DO NOT SPLICE CABLES.** Splices are unreliable and may adversely affect audio quality.

## CONNECTING THE EQUIPMENT

Remove any cardboard or protective coverings from wall housing. **IMPORTANT!** Remove the two shipping screws for the MCD6 as shown.

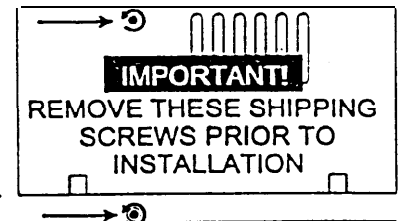


Figure 1 - MCD6 Bottom view

Connect the audio cables included with the wall housing to the master unit and MCD6.

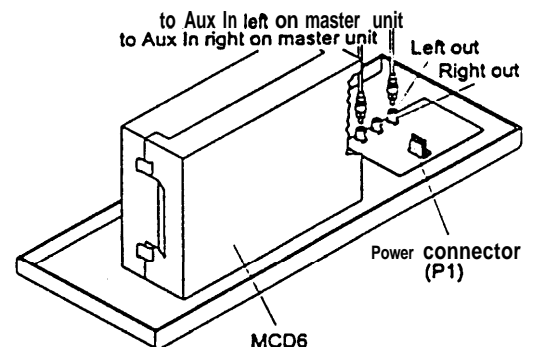


Figure 2 - Audio cable hookup for mono radio-intercom master units

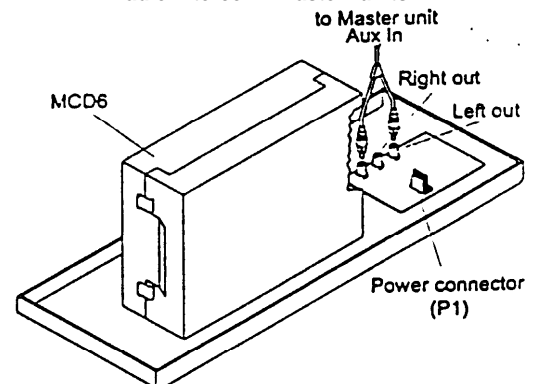


Figure 3 - Audio cable hookup for stereo radio-intercom master units

After all wiring is completed between the master unit and the MCD6, connect the power cord from the TE2D transformer to the power connector on the MCD6. **DO NOT PLUG POWER CORD IN BACKWARDS.** Connect the power to the master unit as described in the finish-out **Wrong! Right!** instructions for your master unit.

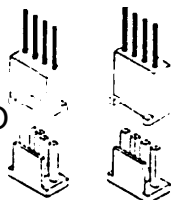
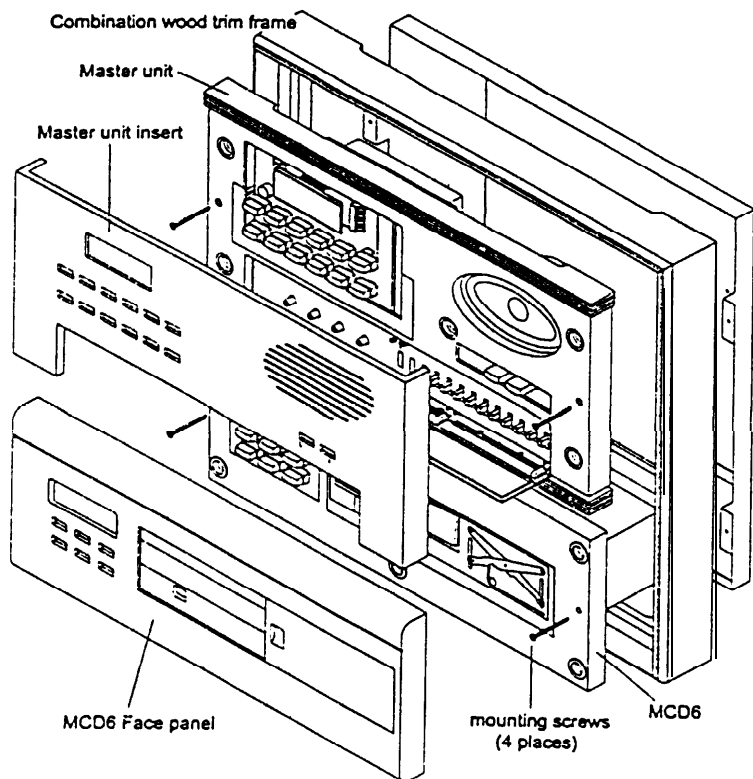


Figure 4



Mount the cassette/CD player to the wall housing using the two #6 screws provided.

**Note: A wood trim ring is required to mount the MCD6 model for both single and combination wallhousing applications.**

Follow the operating procedures included with your master and MCD6 to assure your installation is correct. After system operation is confirmed, install the face panel insert.



## TROUBLESHOOTING

| Problem                                                      | MCD6                                                                                                                                                             |
|--------------------------------------------------------------|------------------------------------------------------------------------------------------------------------------------------------------------------------------|
| Unit will not power up                                       | Power not supplied to wall housing transformer.<br>Open center tap on transformer                                                                                |
| Display light for display does not light up                  | Display light is turned off. Press Track > and Mode at the same time to turn on                                                                                  |
| "Err 07" displays on initial play of selected disc           | Disc is inserted upside down. Label should be up.<br>Disc is not  compatible  |
| "Err 07" displays during play of the currently selected disc | Disc is scratched, dirty or otherwise not readable<br>Disc is not  compatible |
| "Err 01" displays on initial power up                        | Shipping screws on mechanism have not been removed                                                                                                               |
| "Err 01" displays                                            | Disc improperly inserted into disc magazine<br>Disc is jammed,                                                                                                   |
| Unit shows play but nothing is heard                         | FLdio-intercom master unit is not source selected properly. Set source to AUX mode.<br>Audio cables are not properly connected or defective.                     |

If you encounter any problems with the equipment, verify the hookup against these installation instructions as well as the installation instructions for the master unit. Most malfunctions are caused by installation errors. If, after checking your installation, you are unable to determine the cause of the problem, contact our technical support department at 1-800-366-9422. Be sure to have the exact model number, serial number and the nature of the problem ready. If possible, CALL FROM THE SITE. We cannot effectively troubleshoot your installation if you are not calling from the location where the equipment is installed.